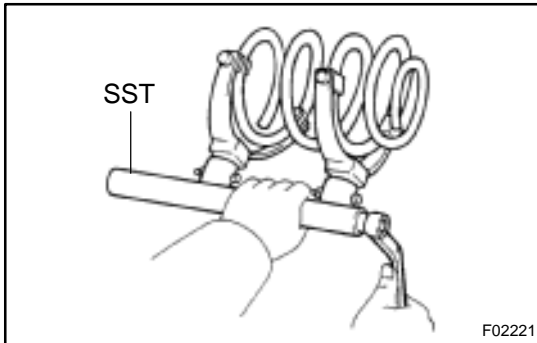


REASSEMBLY

1. INSTALL SPRING BUMPER TO PISTON ROD



2. INSTALL COIL SPRING

- (a) Using SST, compress the coil spring.
 SST 09727-30021 (09727-00010, 09727-00021, 09727-00031)

NOTICE:

Do not use an impact wrench. It will damage the SST.

- (b) Install the coil spring to the shock absorber.

HINT:

Fit the lower end of the coil spring into the gap of the spring lower seat.

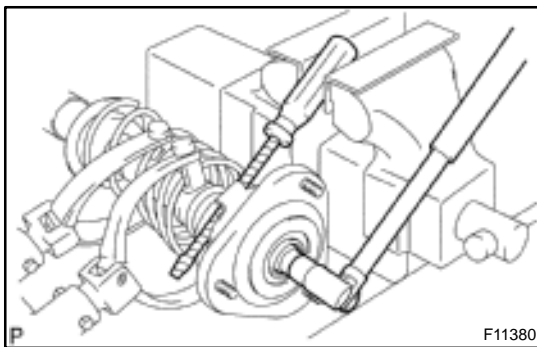
- (c) Install the upper insulator.

- (d) Install the spring seat to the shock absorber.

HINT:

Align the piston rod notch and the spring seat hole.

- (e) Install the dust seal and suspension support.



- (f) Using a screwdriver to hold the suspension support, install a new nut.

Torque: 51 N·m (520 kgf-cm, 38 ft-lbf)

HINT:

Tape the screwdriver before use.

NOTICE:

Be careful not to damage the spring seat.

- (g) Remove the SST.

SST 09727-30021 (09727-00010, 09727-00021, 09727-00031)

- (h) Apply MP grease into the suspension support.

- (i) Install the cap.

